

EN

DECLARATION OF PERFORMANCE

No. UA/SCANROC_2

1. Unique identification code of product-type:
subframe components (special profiles: bracket K-1.1, bracket K-1.2, vertical profile C-1, horizontal profile P-1) of galvanized steel.

2. Intended use:

Subframe for fixing cladding system and insulation to the substrate and mounting cladding elements on it with required ventilated channel.

3. Manufacturer:

LIMITED LIABILITY COMPANY "SCANROC"
41, Volgogradskaya street, Kyiv, Ukraine, 03141
tel.: +38 (044)270-18-05, tel./fax: +38 (044)502-31-15
e-mail: naconechniy_o@scanroc.ua
<http://scanroc.ua>

4. Authorized representative:

SCANROC, SE
Hubernska str., 1271/32, Nove Mesto, 110 00, Praha 1, Czech Republic
tel.: +420601227759
e-mail: info@scanroc.cz
scanroc.eu

5. System of assessment of verification of constancy of performance of the construction product: **2+**

6. Harmonized standard:

EN 1090-1:2009+A1:2011 Execution of steel structures and aluminium structures - Part 1: Requirements for conformity assessment of structural components.

Notifying body № 1397, VĮ Statybos produkcijos sertifikavimo centras, Linkmenų g. 28, LT-08217 Vilnius, Lithuania.

7. Declared performances:

№ п/п	Essential requirements	Performance of galvanized steel and class	Testing methods
1	Tolerances on dimensions and shape	EN 1090-2:2008+A1:2011	EN 1090-1:2009+A1:2011
2	Weldability	DX51D Z275	
3	Impact resistance	NPD	
4	Reaction to fire	Class A1	
5	Dangerous substances	NPD	
6	Radioactivity	NPD	
7	Durability	Hot dip zinc coating Z275	
8	Design characteristics:	Execution class: EXC2 Manufactured according to drawings as stated in Annexes No 1, 2, 3, 4, 5 and 6 of the DoP. Steel grade: DX51D $R_e = 210 \text{ MPa}$, $R_m = 300 \text{ MPa}$, $A_{80} = 22\%$	

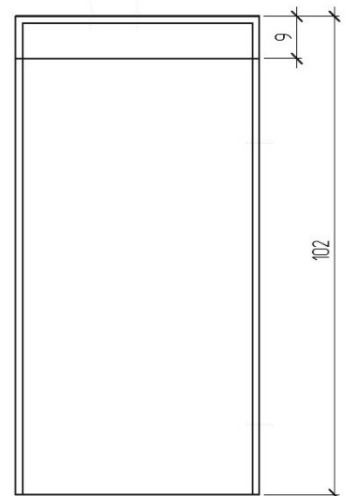
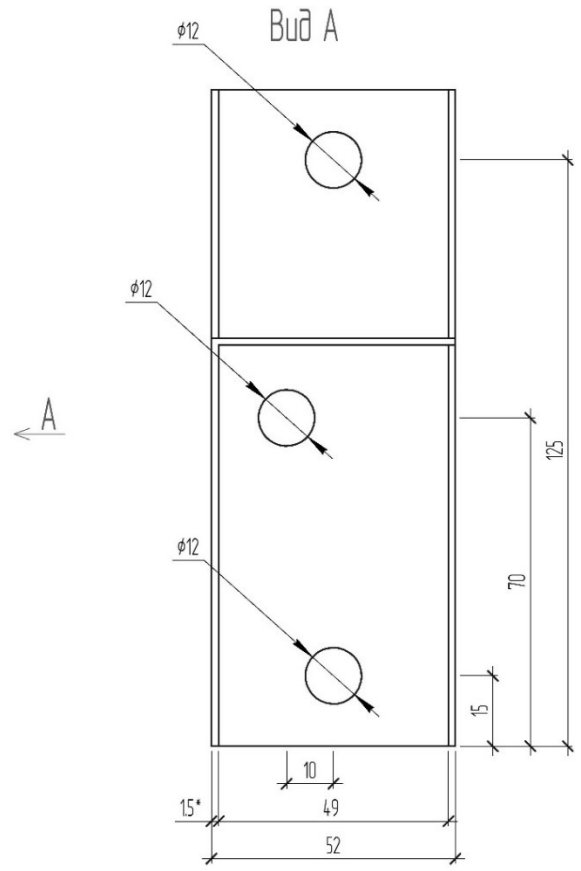
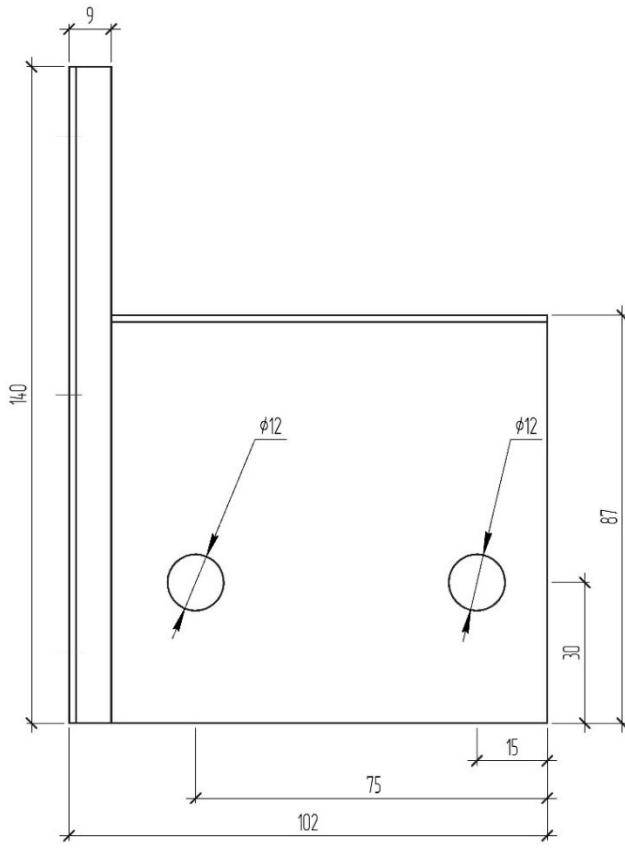
8. Regulation No 96/603/EC dated 4 October 1996 г. Fire reaction class is A1, galvanized steel.

Essential requirements of mentioned above product confirm to all declared performances. This Declaration of performances is issued in accordance with Regulation (EU) No 305/2011 and under is under the sole responsibility of the Manufacturer identified in item 3.

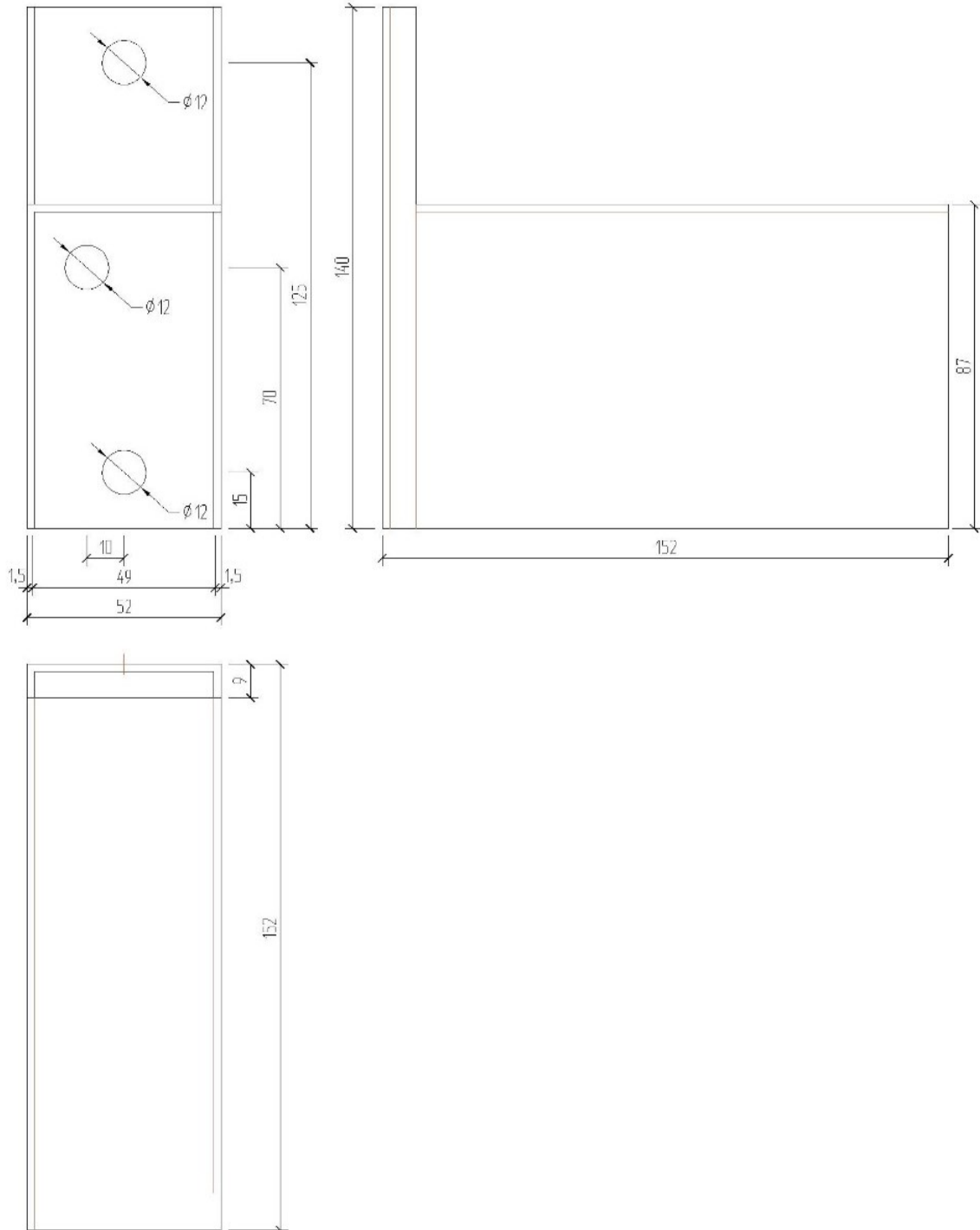
Kyiv, 01.04.2020

CEO, Vladimir Chernyak

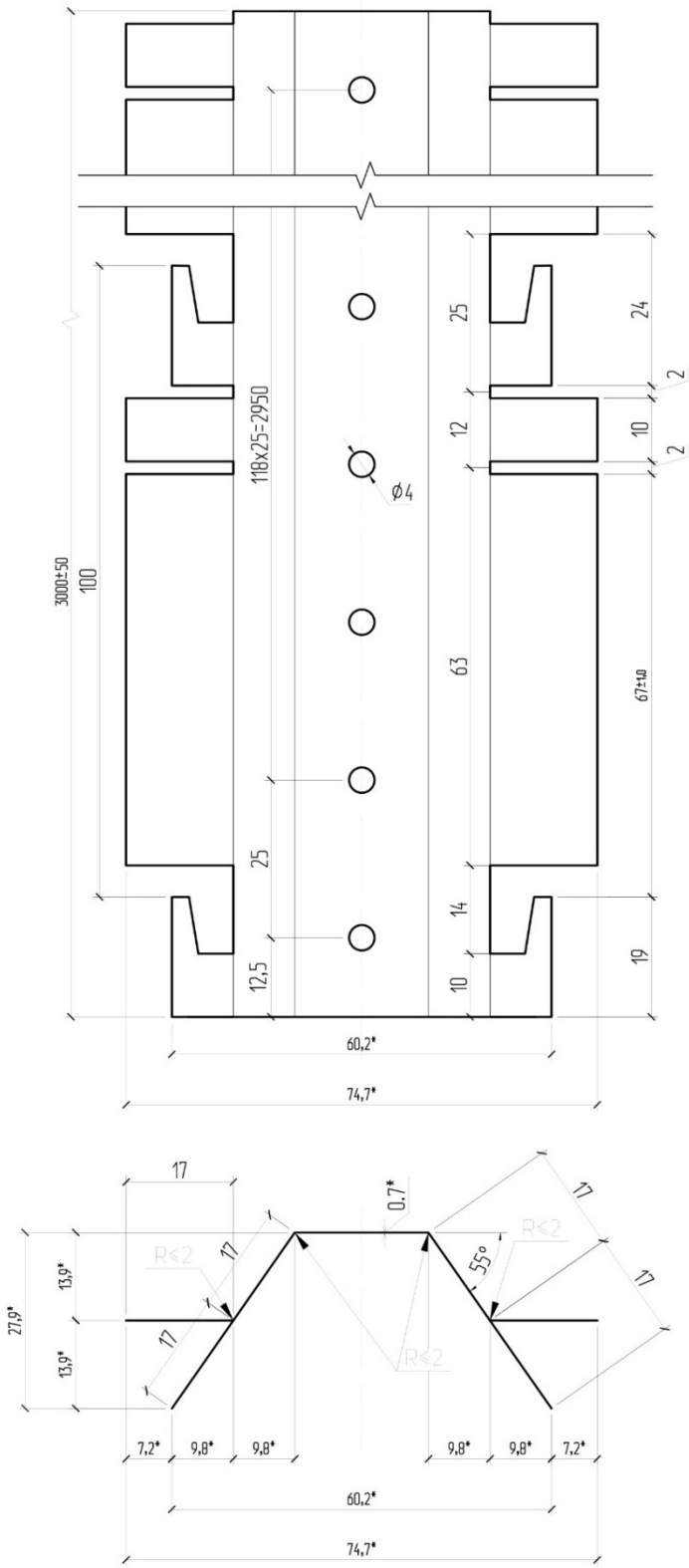
Bracket K-1.1



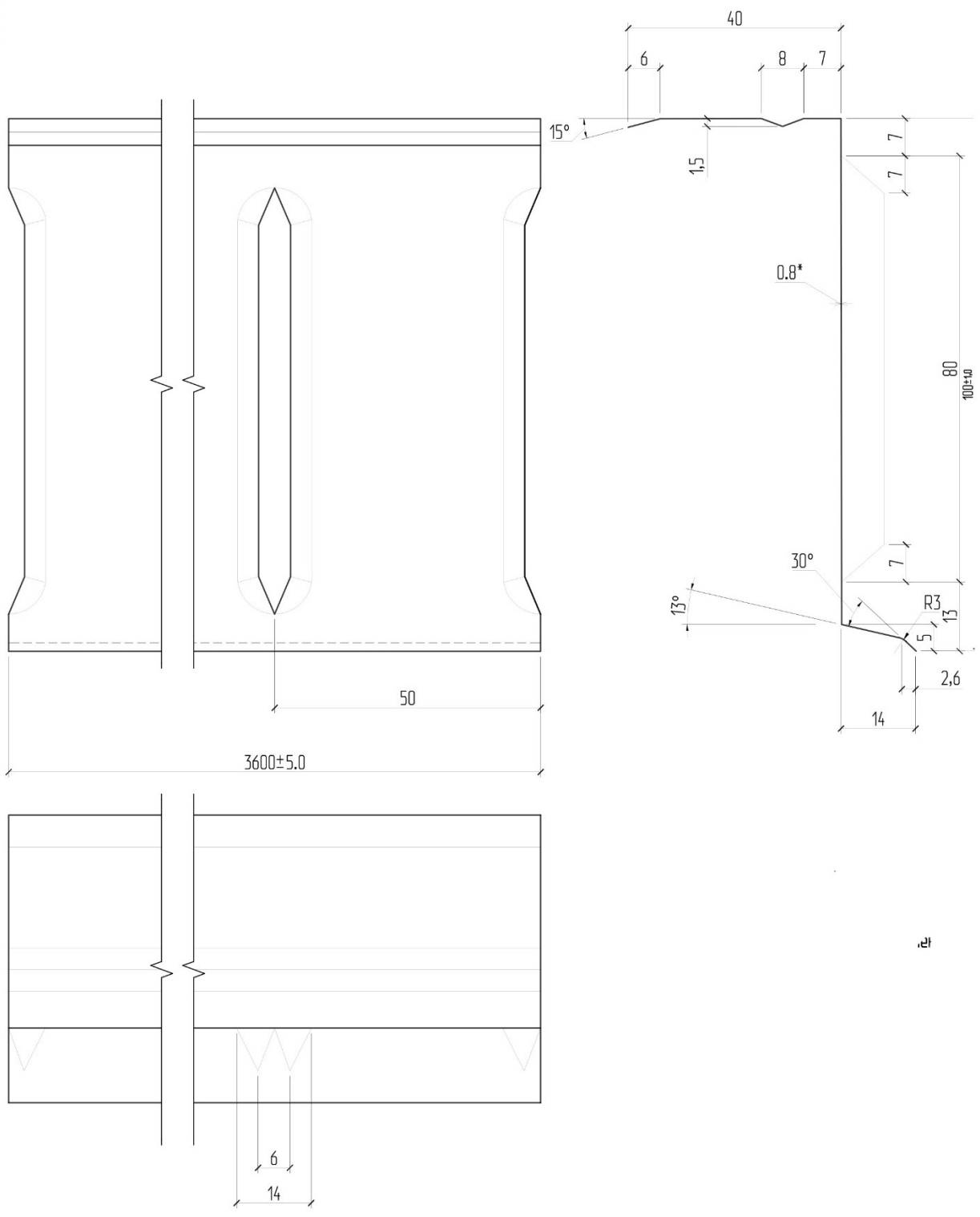
Bracket K-1.2



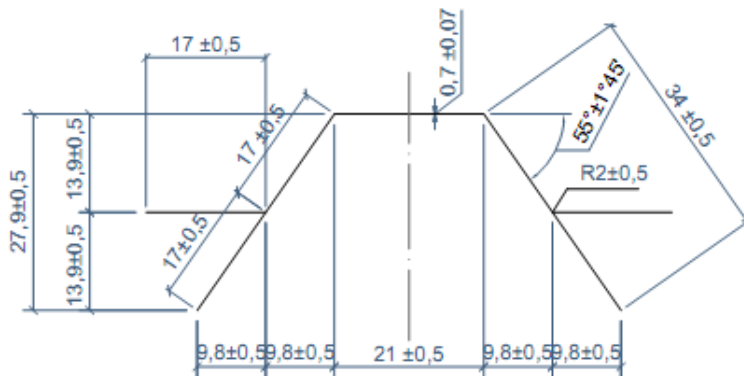
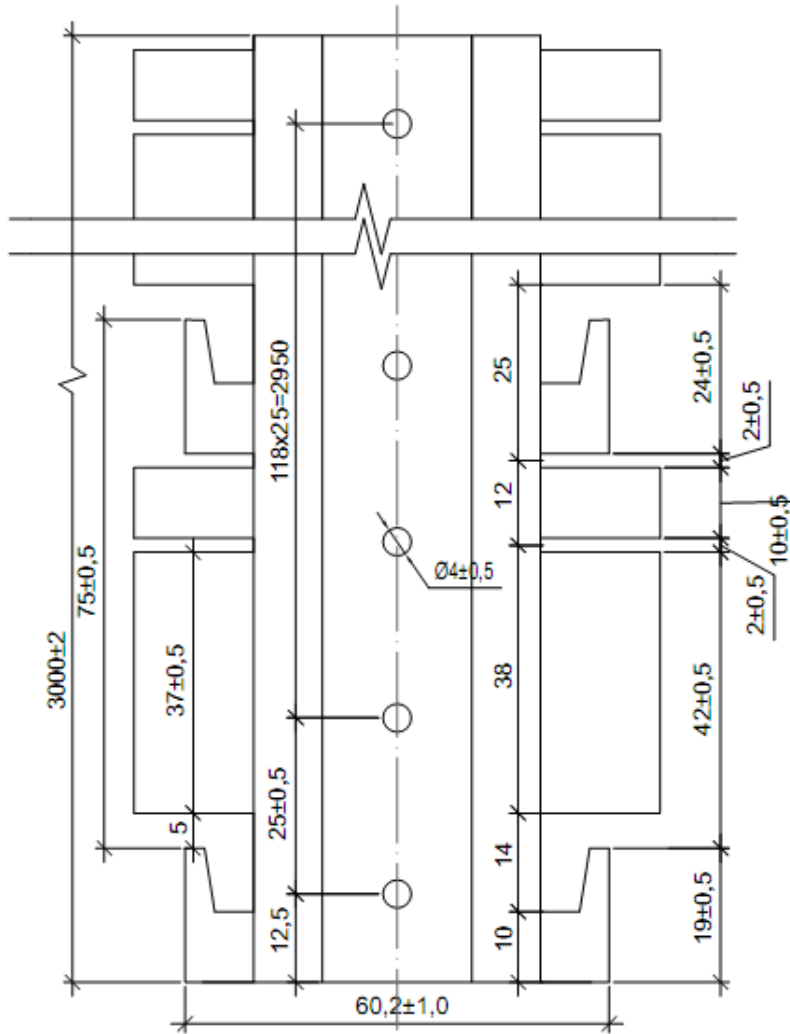
Vertical Profile C-1



Horizontal Profile P-1



Vertical Profile C-1.75



Vertical Profile C-1.81

